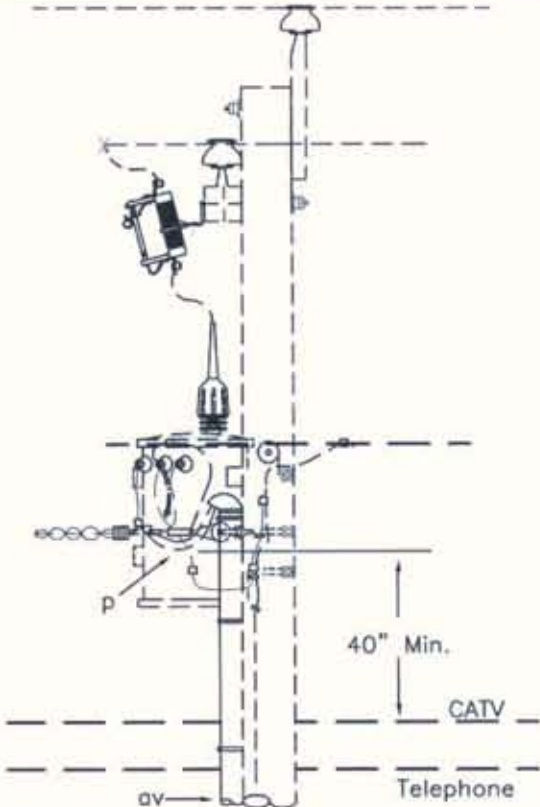
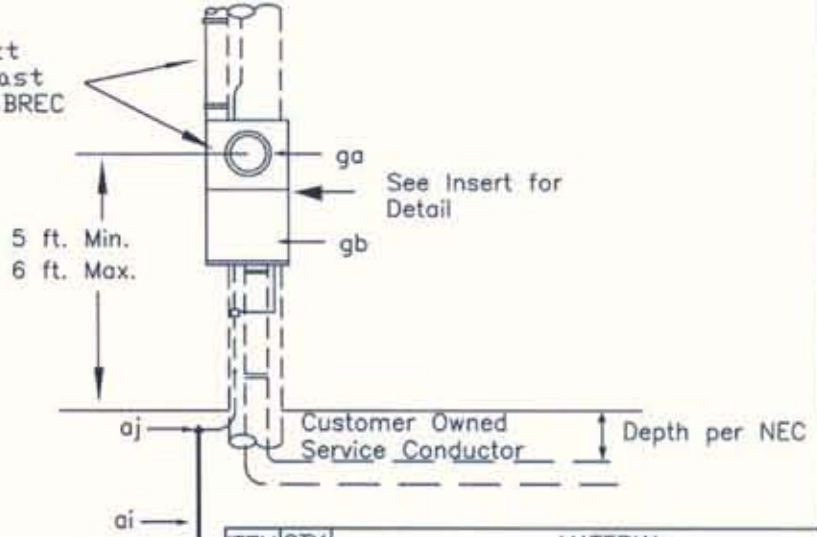


INSERT



Meter Base, Disconnect Switch & Secondary Mast Installed & Owned by BREC



ITEM	QTY	MATERIAL	ITEM	QTY	MATERIAL
			ga	1	Module, Turtle, 240v, #FASY-0584-0002
j	12	1/4" x 2" LAG Screw	gb	1	200A Meter Breaker U5168-XLT-200
P	1	Connector Compression H-Top Blackburn WR289	-	1	Seal, meter, plastic security
P	2	Connector Compression H-Top Blackburn WR379	-	1	Weatherhead, PVC, 2"
ai	1	Rod, ground, 5/8" Min. Diameter	-	30	2" Conduit, PVC
aj	1	Clamp, Ground Rod	-	5	Strap, Conduit, 2"
av	25'	Conductor, Service Cable, 4/OAL Triplex, Sweetbrier	-	1	Hub, 2"
av	4	Leads, #2 Coated Wire	-	1	Adapter, PVC, 2", Male
cj	10	Wire, pole ground, #4Copperweld, soft drawn	-	2	Cover D Die
ga	1	Watthour meter, 5 dial, electronic	-	8	Copper, # 2, 7 Strand Bare



POLE MOUNTED
METER BASE COMBO
200 AMPERE

DATE: 07-13-07

Q2.200