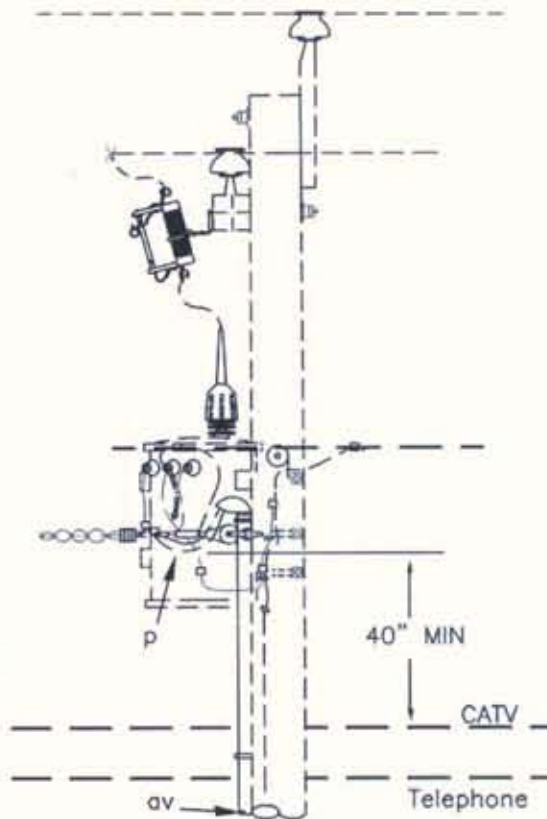
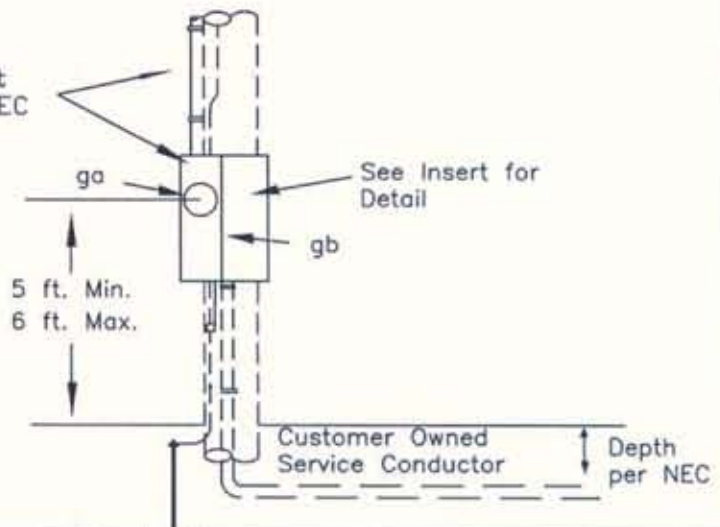


INSERT TO DEFINE POINT OF SERVICE



Meter Base, Disconnect Switch & Secondary Mast Installed & Owned by BREC



ITEM	QTY	MATERIAL	ITEM	QTY	MATERIAL
j	12	Screw, Lag, 1/4" x 2"	gb	1	320 Meter Breaker U4835-X-2/200
P	1	Connector Compression H-Tap Blackburn WR399	-	1	Seal, meter, plastic security
P	2	Connector Compression H-Tap Blackburn WR815	-	10	Copper, 1/0, 7 Strand Bare
ai	1	Rod, Ground, 5/8" Min. Diameter	-	1	Weatherhead, PVC, 3"
aj	1	Clamp, Ground Rod	-	1	Adapter, Male, 3"
av	32'	Conductor, Service Cable, 350URD, Weslyn	-	1	Hub, 3", Milbank
av	6	Leads, 1/0 Copper, Coated Wire	-	2	Mastic Pads, #3-M2200
cj	10	Wire, pole ground, #4Copperweld, soft drawn	-	30	3" Conduit, PVC
ga	1	Watt-hour meter, 5 dial, electronic, CL320	-	5	Strap, Conduit, 3"
ga	1	Module, Turtle, 240v, #FASY-0584-0002			



POLE MOUNTED  
METER BASE COMBO  
400 AMPERE

DATE: 07-13-07

**Q2.400**